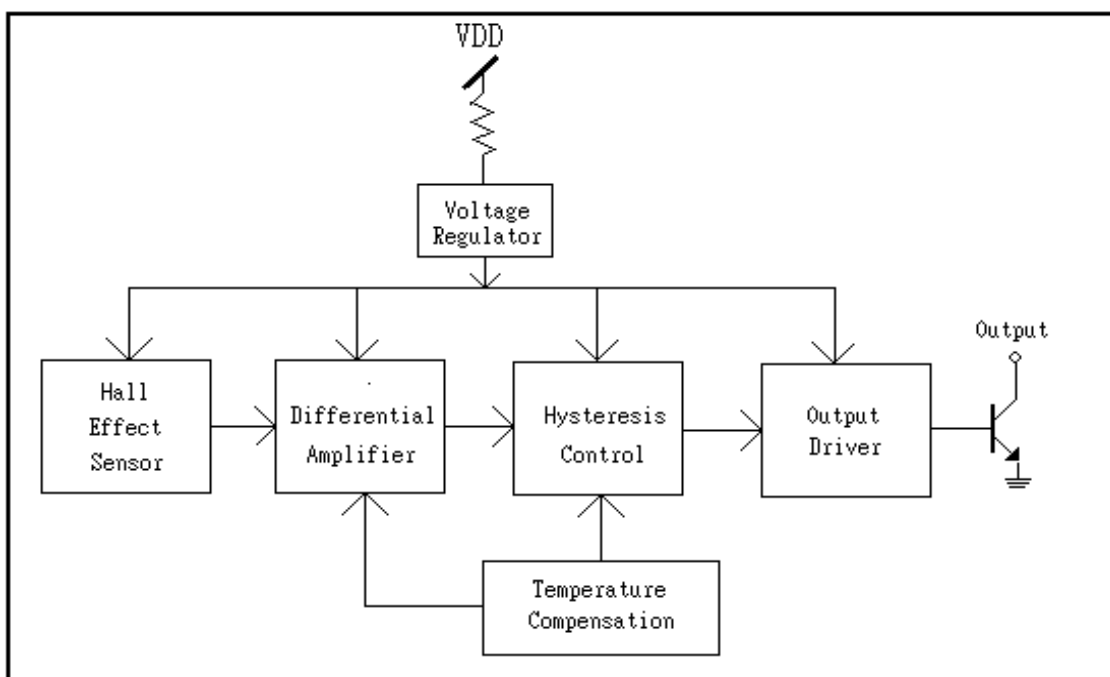


Output breakdown Voltage	$V_{out(\text{breakdown})}$	30V
Magnetic flux density	B	Unlimited
Reverse Protection Voltage	V_r	26V
Output ON Current (continuous)	I_c	25mA
Operating Temperature Range	T_a	(-40°C to +125°C)
Storage Temperature Range	T_s	(-65°C to +150°C)
Package Power Dissipation	P_d	500mw

Electrical Characteristics: (T=+25°C, Vcc=2.4V to 26V)

Characteristic	Symbol	Test Conditions	Min	Typ	Max	Units
Supply Voltage	Vcc	—	2.4	—	26	V
Output Saturation Voltage	$V_{out(\text{sat})}$	Vcc=12V, Ic=10mA B > Bop	—	0.2	0.6	V
Output Leakage Current	Ileakage	Vcc=12V, B<Brp	—	<0.1	10	uA
Supply Current	Isupply	Vcc=12V, Output Open	—	2.0	5	mA
Output Rise Time	Tr	Vcc=12V, RL=2K Ω CL=20Pf	—	1.0	10	μ s
Output Falling Time	Tf	Vcc=12V, RL=2K Ω CL=20Pf	—	0.3	1.5	μ s

Function Block:


Winson reserves the right to make changes to improve reliability or manufacturability.

Magnetic Characteristics:

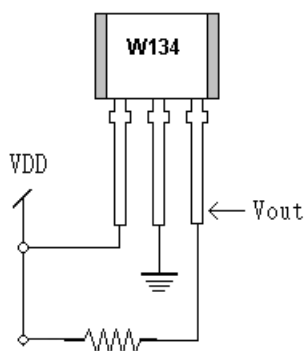
Characteristic	Symbol	Grade	Min.	Typ.	Max.	Unit
Operating Point	Bop		+50	+150	+250	Gauss
Release Point	Brp		+30		+210	Gauss
Hysteresis Window	Bhys		10	30	60	Gauss

*+ mean South magnetic field, 1mT=10 Gauss

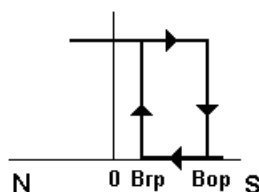
Order Information:

WSH134-XPAN □ (TO-92) WSH134-XPCN □ (SOT23) (Halogen Free)	Grade
---	-------

Application Circuit:



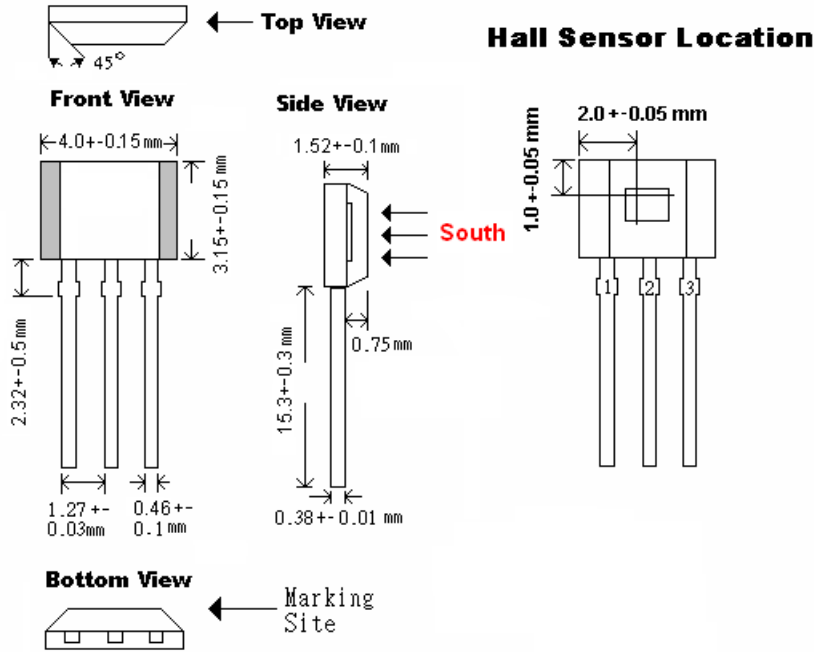
Output vs. Magnetic Field



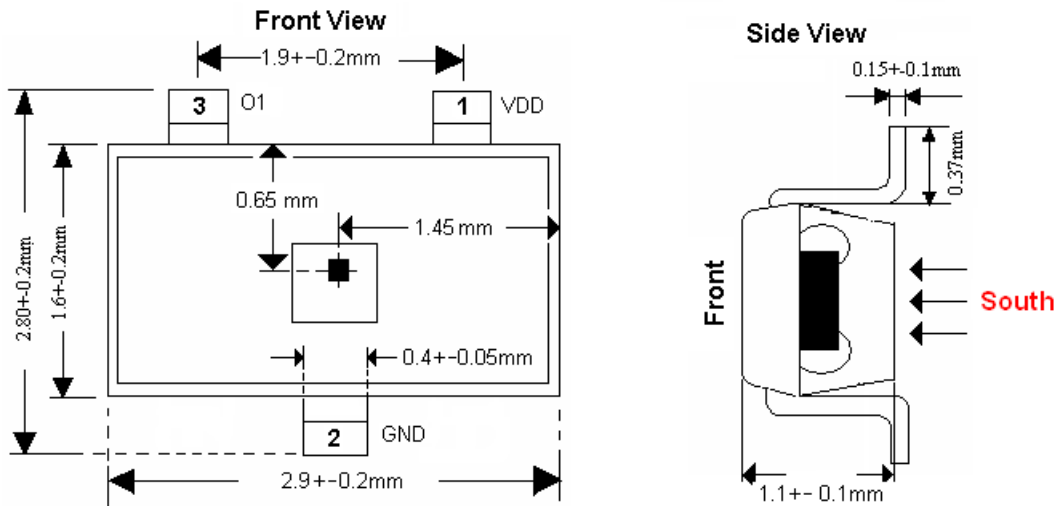
Winson reserves the right to make changes to improve reliability or manufacturability.

Package Information:

TO-92S:



SOT23:



Winson reserves the right to make changes to improve reliability or manufacturability.