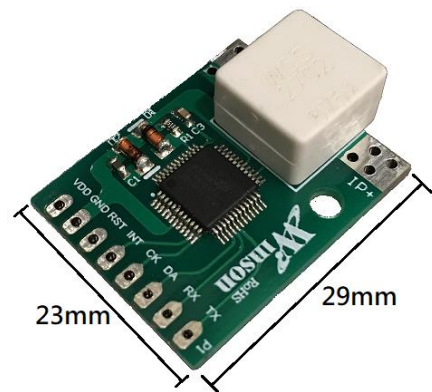


AC / DC Sensing Current Module with Digital Data output**Feature:**

- Continuous output and Modbus-RTU version
- Operating voltage DC5.0V
- 98 mΩ internal conductor resistance
- Sensing current range :
AC : 0~1.2A (50Hz, 60Hz)
DC : 0~±1.7A
- High accuracy :
AC : (0~0.4A) ± 4mA
(0.4~1.2A) ± 1%
- DC : ±(0~0.4A) ± 4mA
±(0.4~1.7A) ± 1%
- High resolution :
AC / DC : 1.2mA
- UART, Baud Rate : 9600 bps, Parity bit : None , Data bit : 8 , Stop bit : 1
- Temperature calibration
- Isolation Voltage 1KV
- Application note: <http://www.winson.com.tw/Product/83>

**General Description:**

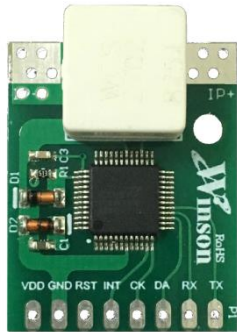
The Winson WCM2702 provides economical and precise solution for both AC and DC current sensing in industrial, commercial and communications systems.

The WCM2702 consists of a current sensor, temperature sensor, a very high accuracy A/D converter and digital signal output of current.

The WCM2702 includes a current path with 98 mΩ typical internal conductor resistance. This extremely low resistance can effectively reduce power loss, operating temperature and increase the reliability greatly, user's MCU can get the real data from DATA pin.

The WCM2702 provides temperature calibration of the internal current sensor and accurately measures the current of AC 50 / 60Hz and DC at temperature from -20°C~70°C. The WCM2702 also offers solutions for true RMS current measurement of various loads.

Winson reserves the right to make changes to improve reliability or manufacturability.



1.VDD 2.GND 3.RST 4.INT 5.CK 6.DA 7.RX 8.TX

ABSOLUTE MAXIMUM RATING

| | | |
|-----------------------------------|-------|-----------------|
| Supply Voltage, Vdd | ----- | 6V |
| Pass Current, IP | ----- | 2.5A |
| Pass Current (10ms pulse), Ipulse | ----- | 5A |
| Basic Isolation Voltage | ----- | 1000V |
| Operating Temperature Range, Ta | ----- | -20°C to +70°C |
| Storage Temperature Range, Ts | ----- | -50°C to +125°C |

Selection Guide:

| Model | Maximum Current | | Operating Voltage | mode |
|---------------|-----------------|-------|-------------------|------------|
| | AC | DC | | |
| WCM2702-AC50C | 1.2A | - | 5.0V | Continuous |
| WCM2702-DC50C | | ±1.7A | 5.0V | Continuous |
| WCM2702-50C | 1.2A | ±1.7A | 5.0V | Continuous |
| WCM2702-50M | 1.2A | ±1.7A | 5.0V | Modbus-RTU |

Pad Description:

| Pad No | Pad Name | I/O | Description |
|--------|----------|-----|--|
| 1 | VDD | - | The positive power input pin |
| 2 | GND | - | The system ground |
| 3 | RST | I | The system reset |
| 4 | INT | I | Sampling control |
| 5 | CK | I/O | System programming, reserve |
| 6 | DA | I/O | |
| 7 | RX | I | The data of measured current output. Its output is UART communication. The baud rate is 9.6K bits/sec. |
| 8 | TX | O | |

Winson reserves the right to make changes to improve reliability or manufacturability.

Electrical Characteristics:
Common Operating Characteristics

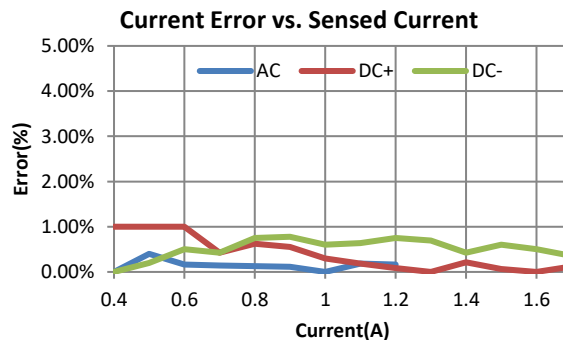
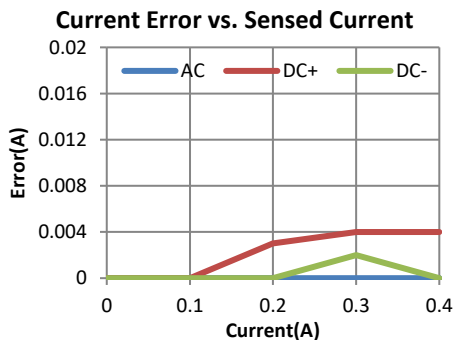
| Symbol | Parameter | Test Condition | Min. | Typ. | Max. | Unit |
|----------------------|-----------------------|----------------|------|------|------|------|
| VDD | Operation Voltage | - | 4.9 | 5 | 5.1 | V |
| IDD | Operation Current | - | - | 6 | 8 | mA |
| R _{primary} | Conductor Resistance | IP = 2 A | - | 98 | - | mΩ |
| TOP | Operating Temperature | - | -20 | - | 70 | °C |

-AC50C
T_{OP} = 25 °C, V_{DD} = 5.000V

| Symbol | Parameter | Test Condition | Min. | Typ. | Max. | Unit |
|--------|-------------------------------|-----------------------------------|------|------|------|------|
| IOP | AC Current Range | - | 0 | - | 1.2 | A |
| ETOT | AC Current Total Output Error | IOP=0~0.4A , TOP=25°C | - | ±4 | - | mA |
| | | IOP=0.4~1.2A , TOP=25°C | - | ±1 | - | % |
| | | IOP=0~1.2A , TOP=-20°C to 70°C | - | ±5 | - | % |

-DC50C
T_{OP} = 25 °C, V_{DD} = 5.000V

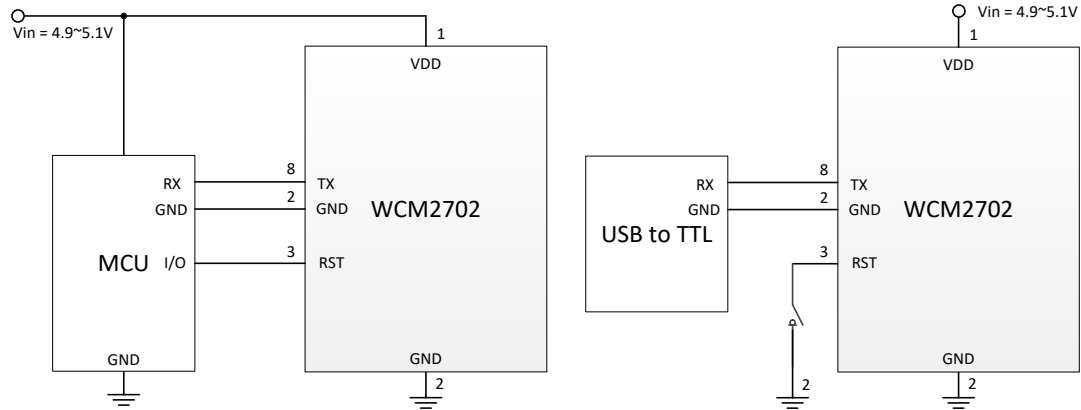
| Symbol | Parameter | Test Condition | Min. | Typ. | Max. | Unit |
|--------|-------------------------------|------------------------------------|------|------|------|------|
| IOP | DC Current Range | - | 0 | - | ±1.7 | A |
| ETOT | DC Current Total Output Error | IOP=±(0~0.4A) , TOP=25°C | - | ±4 | - | mA |
| | | IOP=±(0.4~1.7A) , TOP=25°C | - | ±1 | - | % |
| | | IOP=0~±1.7A , TOP=-20°C to 70°C | - | ±5 | - | % |



Winson reserves the right to make changes to improve reliability or manufacturability.

Application Note:

Application Diagram:



APP. 1. Output UART signal with MCU

APP. 2. Output UART signal with USB to TTL

Measured Current Data Output (Continuous Mode):

The measured current can be **continuously transmitted** by UART format.

- (1) If the measured data is AC "1.234"A, then the output data is '~', '0', '1', '2', '3', '4', '\r', '\n', total of 8 bytes; the output data is ASCII code.
- (2) If the measured data is +DC "1.234"A, then the output data is '+', '0', '1', '2', '3', '4', '\r', '\n', total of 8 bytes; the output data is ASCII code.
- (3) If the measured data is -DC "1.234"A, then the output data is '-', '0', '1', '2', '3', '4', '\r', '\n', total of 8 bytes; the output data is ASCII code.

Winson reserves the right to make changes to improve reliability or manufacturability.

Measured Current Data Output (Modbus-RTU Mode):
Modbus Parameter List

| | Item | Address | Byte | R/W | Description |
|---|---------------|---------|------|-------|---|
| 1 | Reset | 0x0000 | 2 | Write | Input 256 to Reset |
| 2 | Current | 0x0002 | 4 | Read | Hexadecimal signed (HEX), Unit:0.001A Current= HEX / 1000 (A) |
| 3 | Temperature | 0x0004 | 4 | Read | Hexadecimal signed (HEX), Unit:0.1°C Temperature= HEX / 10 (°C) |
| 4 | Slave Address | 0x0010 | 2 | Write | Default address: 1 Input address1~247 |

For example description, please refer to the "Current Module Application Note":

Modbus-RTU Data Format

| Slave Address | Function Code | Data | Check Code (CRC16) |
|---------------|---------------|----------|-------------------------|
| 1 Byte | 1 Byte | N x Byte | 2 Byte (Low byte first) |

Function Code

| Function Code | Description |
|---------------|--|
| 03H | Read up to 125 continuous memory words |
| 06H | Write one memory word |

Exception Code

| Exception Code | Description |
|----------------|-----------------------|
| 01H | Illegal function code |
| 02H | Illegal data address |
| 03H | Illegal data count |

When responding to an exception, the MSB (Most Significant Bit) of the function code is automatically set to 1.

Winson reserves the right to make changes to improve reliability or manufacturability.

True RMS Current Measurement:

In order to calculate true RMS of AC current, you need to know “zero” value of AC current first. The “zero” value of symmetric AC current is the average value $V_o(dc)$ of the current shown in Figure 1.

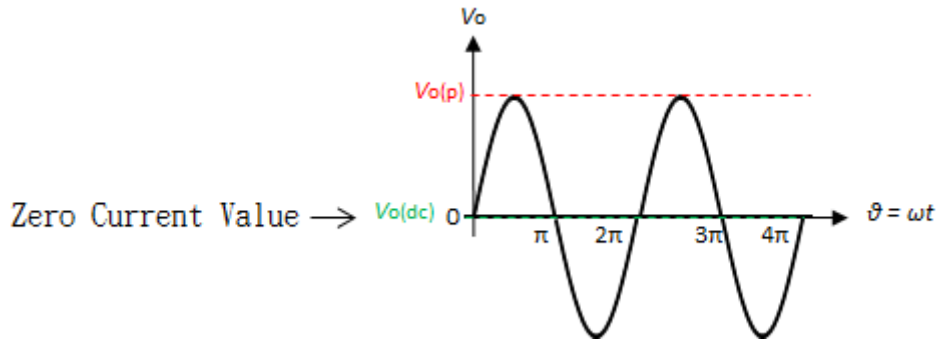


Figure 1 The zero current value of sine waveform

But in asymmetrical AC current, the “zero” value is not the average value $V_o(dc)$ of the current. Based on this “zero” value and do RMS calculation. You will get wrong answer.

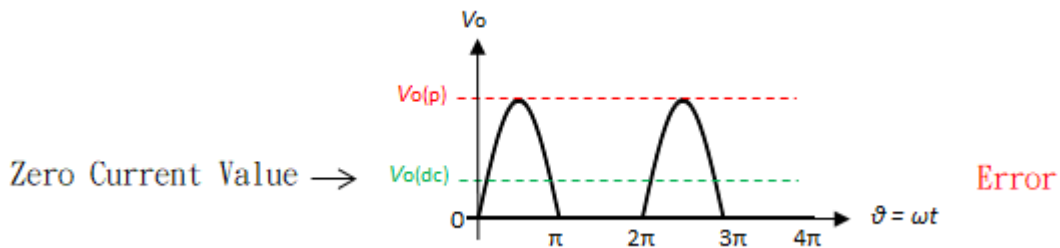


Figure 2 The zero current value of the asymmetric waveform (Error)

The WCM2702 offers a true RMS solution for both symmetric and asymmetric AC current. It can correctly detect “zero” current value, shown in Figure 3. and do perfect RMS calculation.

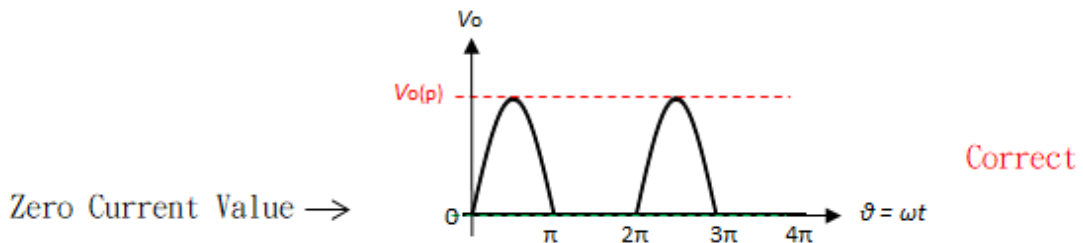
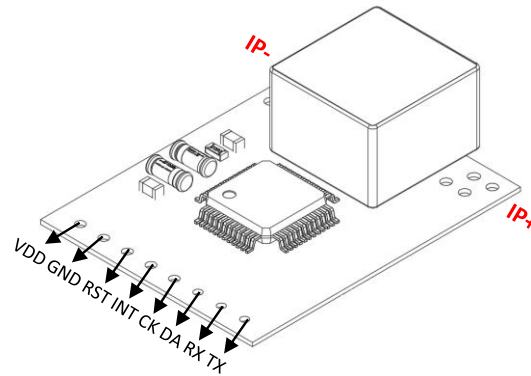
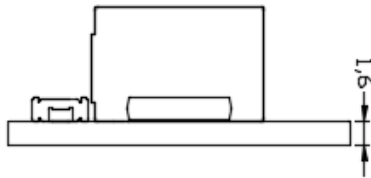
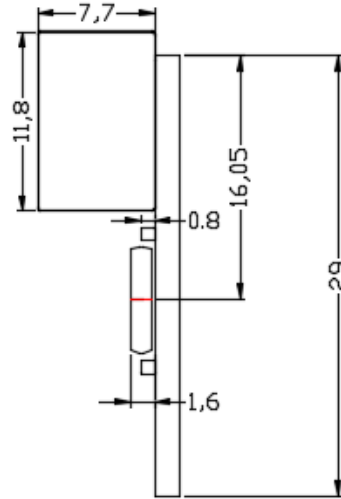
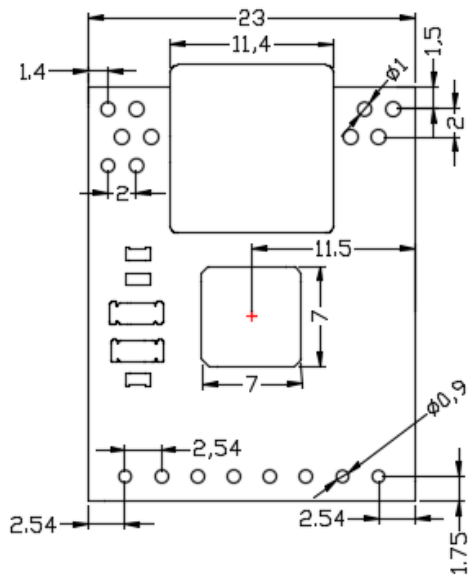


Figure 3 The zero current value of the asymmetric waveform (Correct)

Package:

(Unit: mm)



Winson reserves the right to make changes to improve reliability or manufacturability.